

VÁLVULA ESFERA MONOBLOCO

Monobloc Ball Valve / Válvula Esfera Monoblock

MONTAGEM FLUTUANTE - 400WOG / 600WOG - PASSAGEM PLENA

Floating Mount 400WOG / 600WOG - Full Bore / Montaje Flotante - 400WOG / 600WOG - Pasaje Total

SÉRIE 550

550 Series / Serie 550



ESPECIFICAÇÕES:

- Válvula esfera monobloco;
- Passagem plena;
- Acionamento por alavanca com 1/4 de volta;
- Para aplicação em água, óleo e gás;
- Conexão: NPT, BSP, BSPT;
- Material: Latão;
- Pressão: 400WOG / *600WOG;
- Temperatura de trabalho: -20°C a 120°C;

NORMAS E PADRÕES:

- Face-a-face: Padrão Micromazza;
- Extremidade: Rosca NPT conforme ASME B1.20.1, rosca BSP e BSPT conforme ISO 7-1.

SPECIFICATIONS:

- Monobloc ball valve;
- Full bore;
- 1/4-turn lever drive;
- For application in water, oil and gas;
- Connection: NPT, BSP, BSPT;
- Material: Brass;
- Pressure: 400WOG / *600WOG;
- Working temperature: -20°C to 120°C.

STANDARDS:

- Face to face: Micromazza Standard;
- End: NPT thread according to ASME B1.20.1, BSP and BSPT thread according to ISO 7-1.

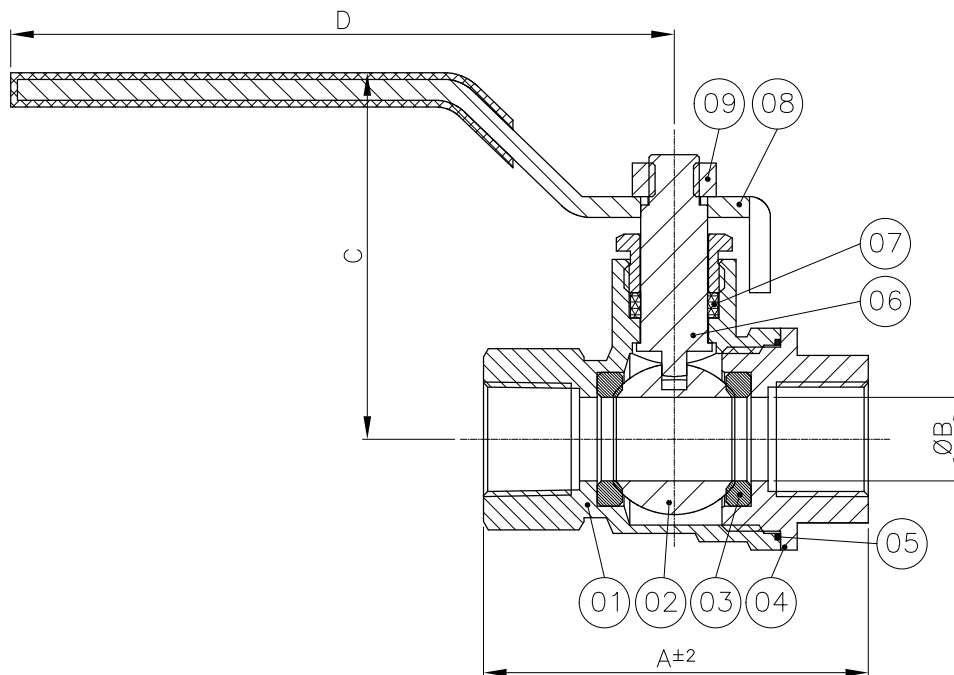
ESPECIFICACIONES:

- Válvula esfera monoblock;
- Pasaje total;
- Accionamiento de palanca de 1/4 de vuelta;
- Para aplicación en agua, petróleo y gas;
- Conexión: rosca NPT, BSP, BSPT;
- Material: Latón;
- Presión: 400WOG / *600WOG;
- Temperatura de trabajo: -20°C a 120°C.

NORMAS Y PATRONES:

- Distancia Cara a cara: patrón Micromazza;
- Extremo: rosca NPT según ASME B1.20.1, rosca BSP y BSPT según ISO 7-1.





POS. POS./ POS.	DENOMINAÇÃO DESCRIPTION / DENOMINACIÓN
01	CORPO / BODY / CUERPO
02	ESFERA / BALL / ESFERA
03	SEDE / SEAT / INSERTO
04	TAMPA / CAP / TAPA
05	JUNTA / GASKET / JUNTA
06	HASTE / STEM / VÁSTAGO
07	GAXETA / PACKING / EMPAQUETADURA
08	ALAVANCA / LEVER / PALANCA
09	PORCA SEXTAVADA / HEXAGONAL NUT / TUERCA HEXAGONAL

DIMENSÕES - PESOS DIMENSIONS - WEIGHT / DIMENSIONES - PESOS						
MONOBLOCO PASSAGEM PLENA MONOBLOC FULL BORE / MONOBLOCK PASAJE TOTAL						
DN DN / DN		A	ØB	C	D	Peso (kg) Weight (kg) Peso (kg)
Polegada Inch / Pulgada	mm mm / mm					
1/4"	8	45,0	10,0	48,0	80,0	0,20
3/8"	10	45,0	10,0	48,0	80,0	0,20
1/2"	15	48,0	15,0	49,0	80,0	0,50
3/4"	20	53,0	19,0	53,0	92,0	0,50
1"	25	65,0	24,0	66,0	102,0	0,80
1.1/4"	32	80,0	29,0	74,0	130,0	0,90
1.1/2"	40	85,0	38,0	85,0	130,0	0,90
2"	50	100,0	49,0	94,0	145,0	1,3
*2.1/2"	65	135,0	58,0	122,0	210,0	2,8
*3"	80	150,0	70,0	130,0	210,0	4,8
*4"	100	170,0	85,0	150,0	260,0	6,8

